

Samtax Centrifugal Pump CPM Series



Specifications

Pump casing of the CPM 22, 158 and 180 pumps and motor bracket made from cast iron GG20. Blanked brass cast impellers. Ceramic mechanical seal with stainless steel spring. Equip with high service factor motor has single or double voltages, single or three phases motor. They are centrifugal types, non-self-priming pump. The has inlet and outlet ports of 1" BSP.

Application

The CPM Pumps can be used to pump cold and hot water (up to 60 C) in pressurized water network. It can be used for pumping water for industrial and domestic applications.

Electric Motor Data

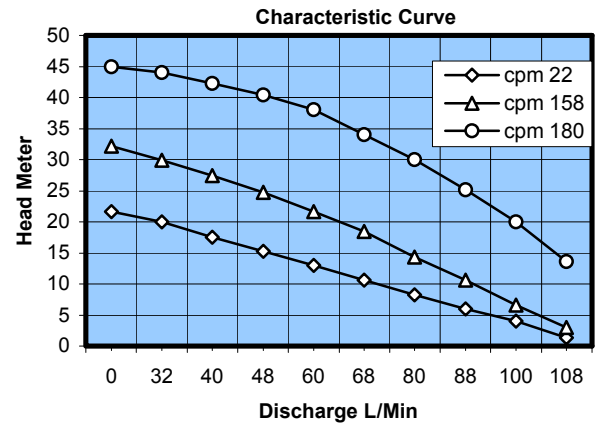
Totally enclosed, fan-cooled, squirrel-cage motors.

Shaft speed : 3450 rpm
 Enclosure class : IP 54
 Insulation Class : B
 Cycle : 60 Hz

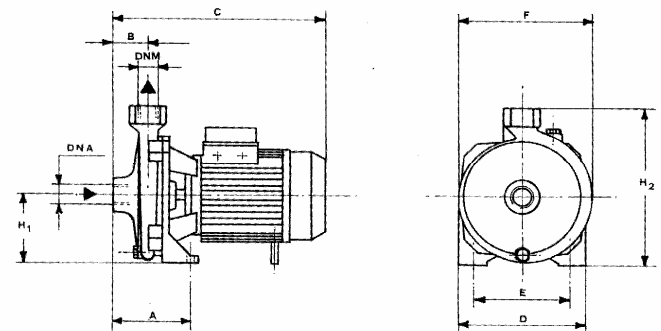
Motor can be offered with and without overload protector. Shaft can be offered as steel or stainless steel

Model	Voltage	Current	Power
CPM22	127/230V	3.8/1.2A	0.5HP, 1ph
	230V	1.2A	0.5HP, 1ph
	230/380V	1.0/0.4A	0.5HP, 3ph
CPM158	127/230V	8.5/4.4A	1HP, 1ph
	230V	4.4A	1HP, 1ph
	230/380V	2.0/0.8A	1HP, 3ph
CPM180	230V	10A	1.5HP, 1ph

Performance Curve and Table



Model	Discharge L/Min									
	0	32	40	48	60	60	80	88	100	108
	Head (Meter)									
CPM 22	22	20	18	15	13	11	8	6	4	1
CPM158	32	30	27	25	22	19	14	11	7	3
CPM180	45	44	42	40	38	35	31	27	20	13



Model	A	B	C	D	E	F	H1	H2	DNA	DNM
CPM22										
CPM158										
CPM180										

AL SAMHAN FACTORY FOR SAUDI PUMP CO., LTD.,

2ND Industrial Area, P.O.Box 1139, Riyadh 11431, Saudi Arabia
 Tel 00966-1-4023274, 4982244, 4982255. Fax 00966-1-4044081, 4982266.
 Email info@alsamhanpump.com Web Site www.alsamhanpump.com