

# Samtax Centrifugal Pump CPM 200B Series



## Specifications

Pump casing of the CPM 200B pump and motor bracket made from cast iron GG20. Blanked brass cast impellers. Ceramic mechanical seal with stainless steel spring. Equip with high service factor motor has single voltage, single or three phase motors. They are centrifugal types, non-self-priming pump. The has inlet and outlet ports of 2" BSP.

## Application

The CPM Pumps can be used to pump cold and hot water (up to 60 C) in and circulating water in farm and industries, hence, It can be used for pumping water for both industrial and domestic applications.

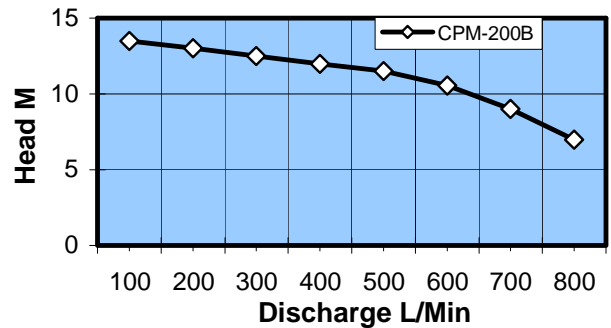
## Electric Motor Data

Totally enclosed, fan-cooled, squirrel-cage motors.

Shaft speed : 3450 rpm  
 Enclosure class : IP 54  
 Insulation Class : B  
 Cycle : 60 Hz

Model	Voltage	Current	Power
CPM200B	230V 230/380V	10.0A 6.2/3.6A	2.0HP, 1ph 2.0HP, 3ph

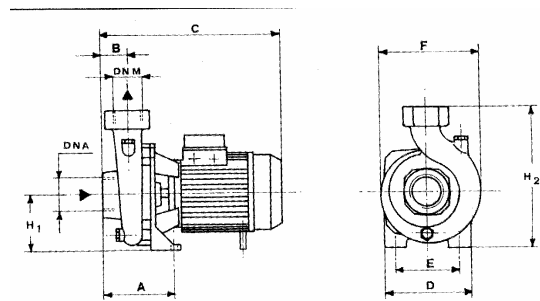
Characteristic Curve



Performance Curve and Table

Model	Discharge L/Min								
	100	200	300	400	500	600	700	800	900
	Head (Meter)								
CPM 200B	13.5	13.0	12.5	12.0	11.5	11.0	9.0	7.0	4.0

## Dimension



Model	A	B	C	D	E	F
CPM200B	160	80	400	180	140	230

Model	H1	H2	DNA	DNM
CPM200B	115	292	2" BSP	2" BSP

## AL SAMHAN FACTORY FOR SAUDI PUMP CO., LTD.,

2<sup>ND</sup> Industrial Area, P.O.Box 1139, Riyadh 11431, Saudi Arabia  
 Tel 00966-1-4023274, 4982244, 4982255. Fax 00966-1-4044081, 4982266.  
 Email [info@alsamhanpump.com](mailto:info@alsamhanpump.com) Web Site [www.alsamhanpump.com](http://www.alsamhanpump.com)